

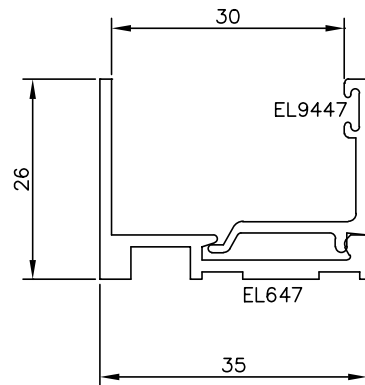
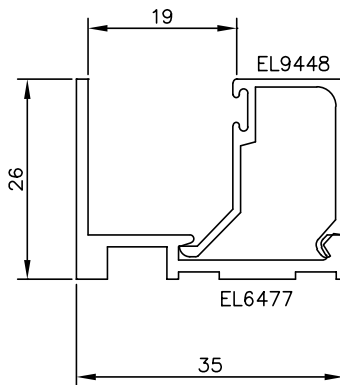
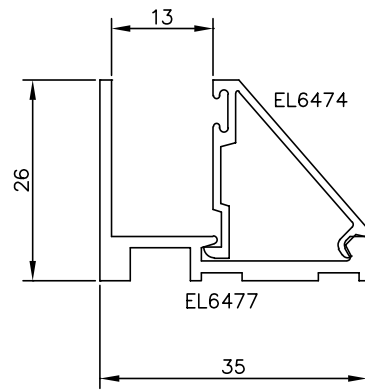
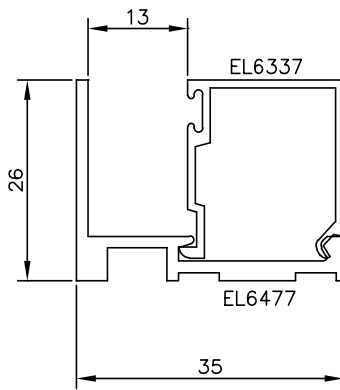
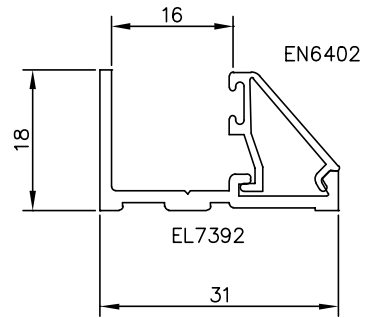
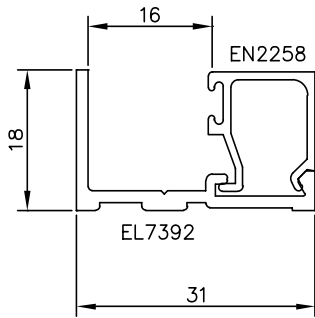
# Glazing Adaptors



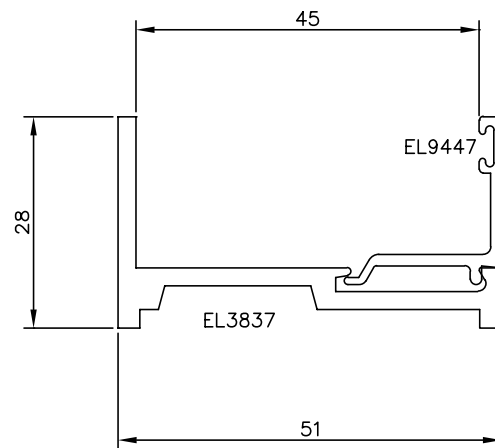
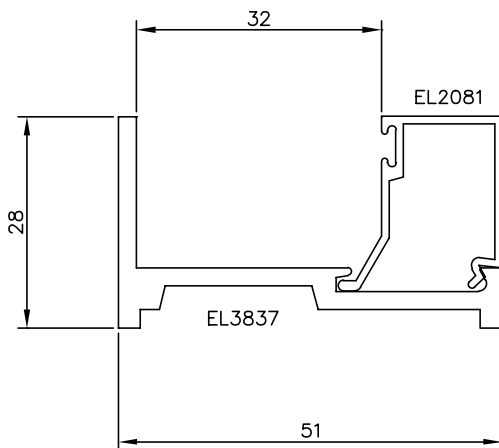
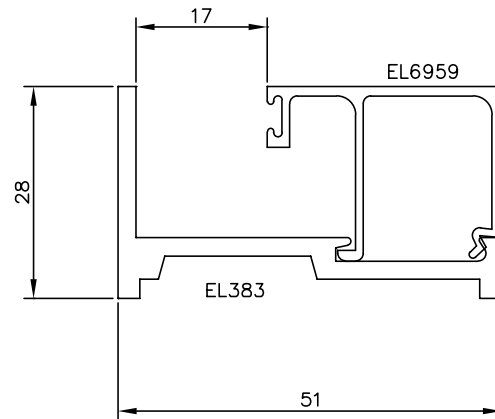
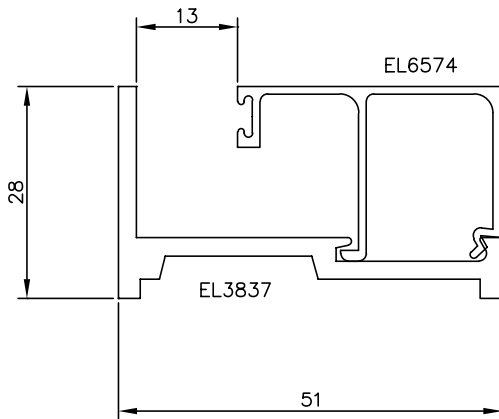
- ▶ Glazing Adaptors & beads
- ▶ Glazing Bar - GB50
- ▶ Glazing Bar - GB138 (obsolete)
- ▶ Frameless Glazing - Deep pocket
- ▶ Frameless Glazing - Shallow pocket
- ▶ 150 St Kilda suite adaptors

# Glazing adaptors

## Full size details



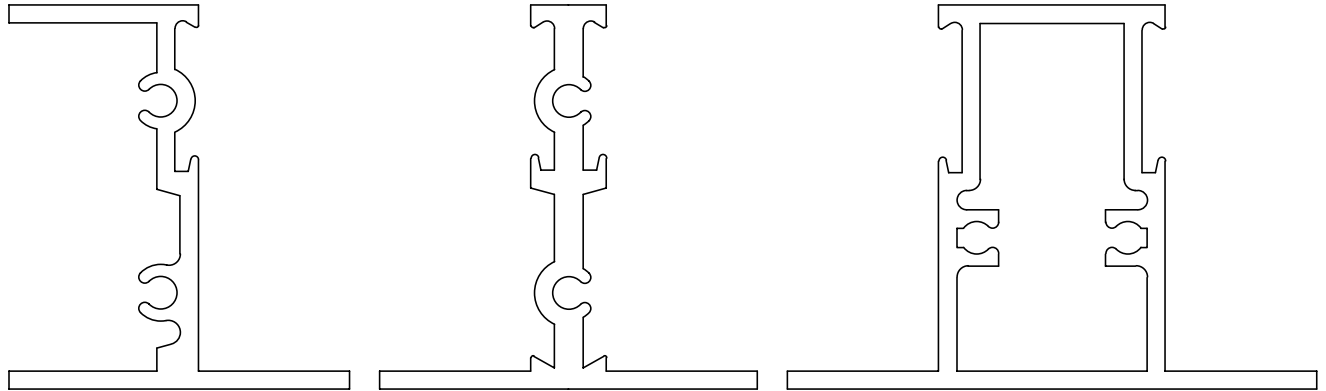
## Full size details (cont)



REF: GAD-F02

# Glazing Bar - GB50

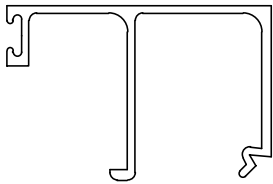
## Full size details



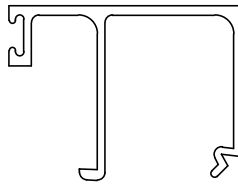
EL2074  
FRAME

EL7608  
T-BAR 50mm

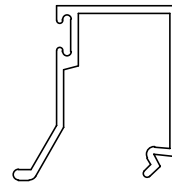
EN1350  
T-BAR HOLLOW 70mm



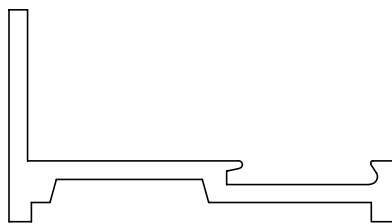
EL6574  
BEAD 6-8mm



EL6959  
BEAD 10-12mm



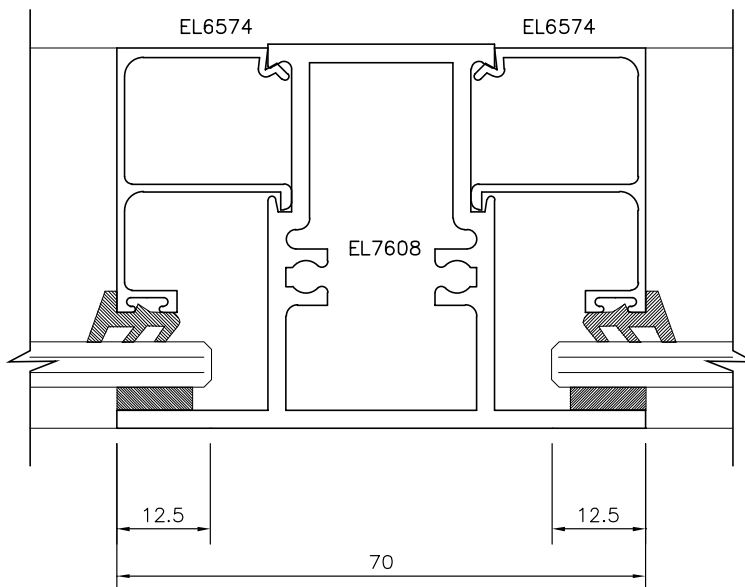
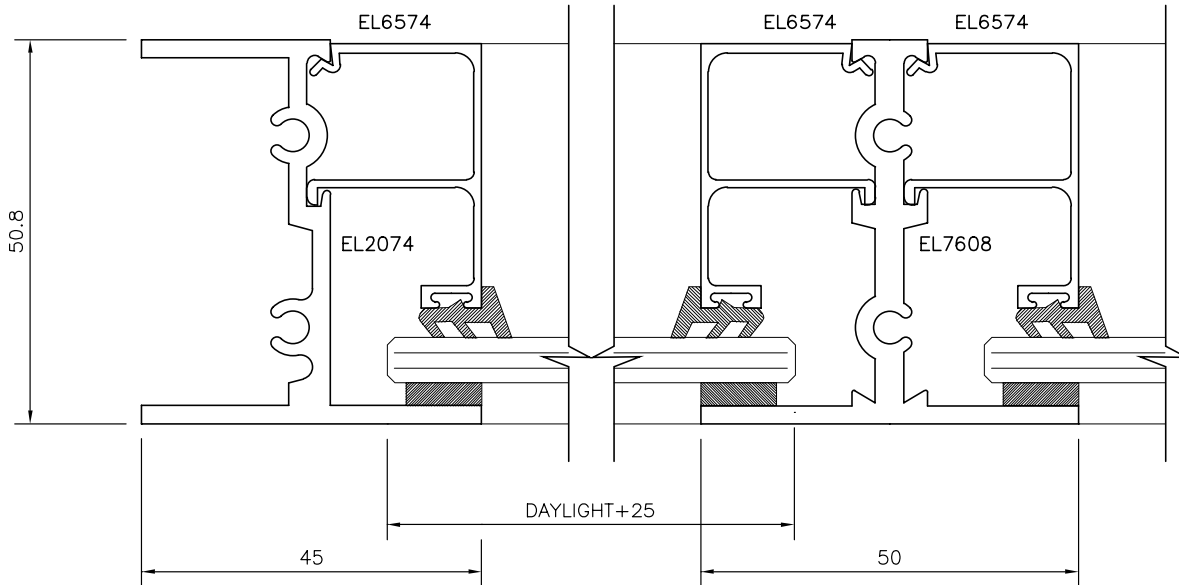
EL6574  
BEAD 25mm



EL383  
GLAZING ADAPTOR

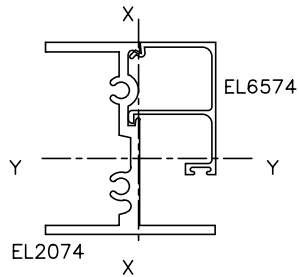
REF: GB50-G01

## Glazing details



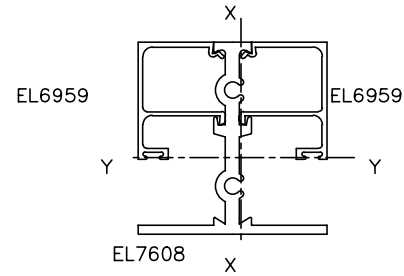
REF: GB50-G01

## Structural details



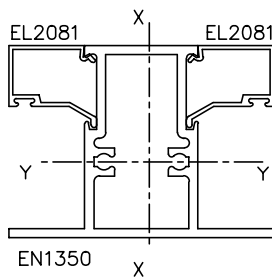
$$I_{xx} = 40 \times 10^3 \text{ mm}^4$$

$$I_{yy} = 130 \times 10^3 \text{ mm}^4$$



$$I_{xx} = 35 \times 10^3 \text{ mm}^4$$

$$I_{yy} = 110 \times 10^3 \text{ mm}^4$$



$$I_{xx} = 125 \times 10^3 \text{ mm}^4$$

$$I_{yy} = 177 \times 10^3 \text{ mm}^4$$

NOTE: THE Y AXIS IS DEPICTED TO INDICATE THE GLASS PLANE ONLY AND HAS NO REFERENCE TO THE CENTRE OF GRAVITY OF THE ASSEMBLY.

REF: GB50-101

## Frameless glazing - Deep pocket

---

### Features

---

- Recessed toughened glass panels
- Accepts 12-19mm glass

---

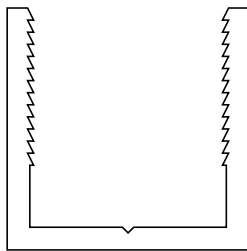
**Note:**

To glaze, requires a silicone butt joint

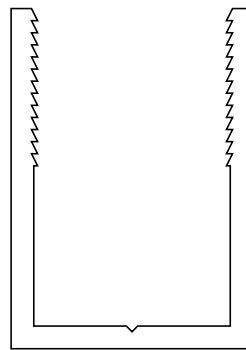
---

### Full size sections

---

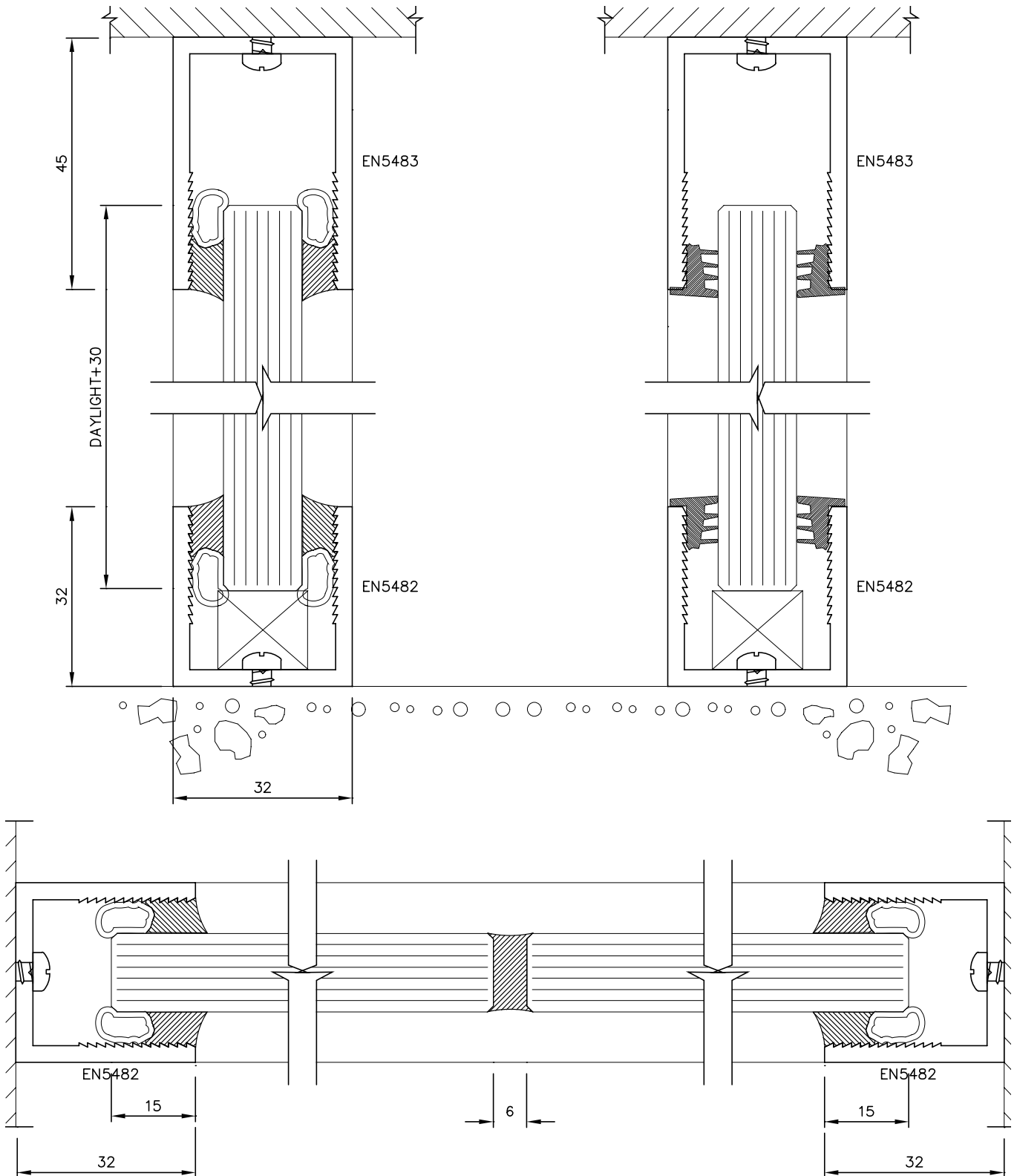


EN5482  
GLAZING CHANNEL



EN5483  
DEEP GLAZING CHANNEL

## Glazing details



REF: FG-A01

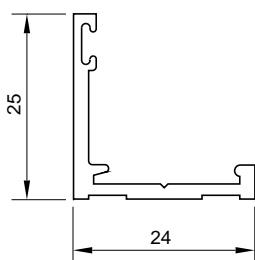


## Frameless glazing - Shallow pocket

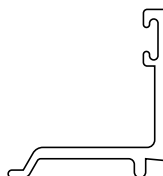
### Features

- Smallest glazing adaptor available
- Recessed toughened glass channels
- Noticeboard frames
- Renovation of timber rebate glazing
- Fixed light panels
- More economical than geometric channels for silicone butt fixed lights
- Accepts 6-12mm glass thickness
- Take off bead may be used in any direction

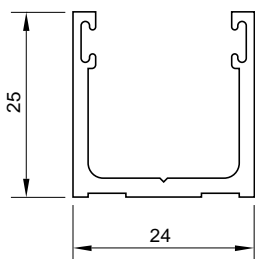
### Full size details



EQ3051  
GLAZING ADAPTOR

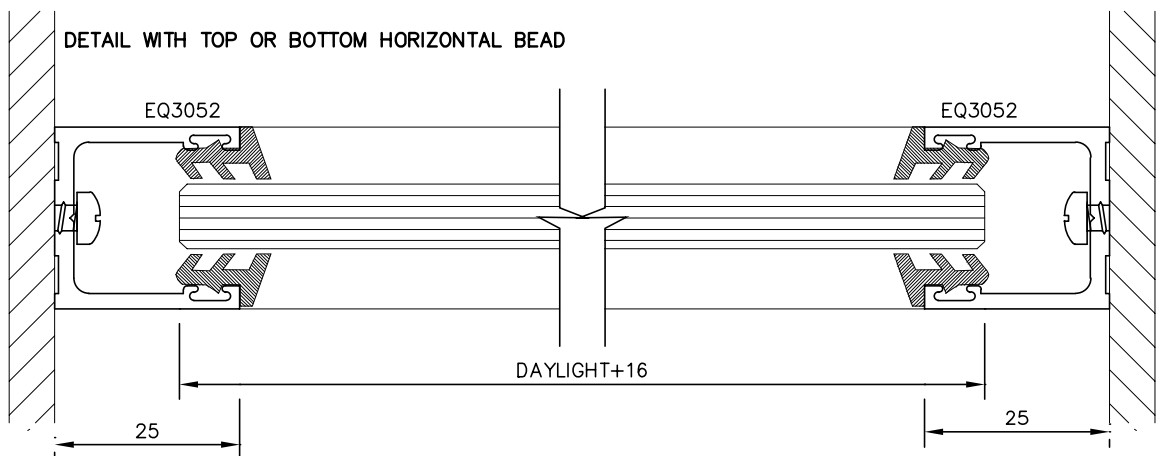
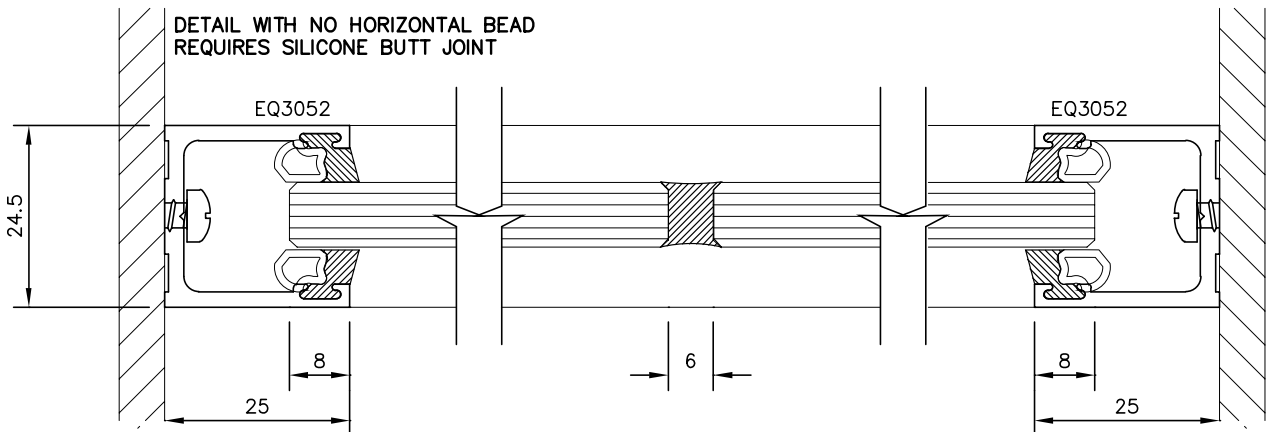
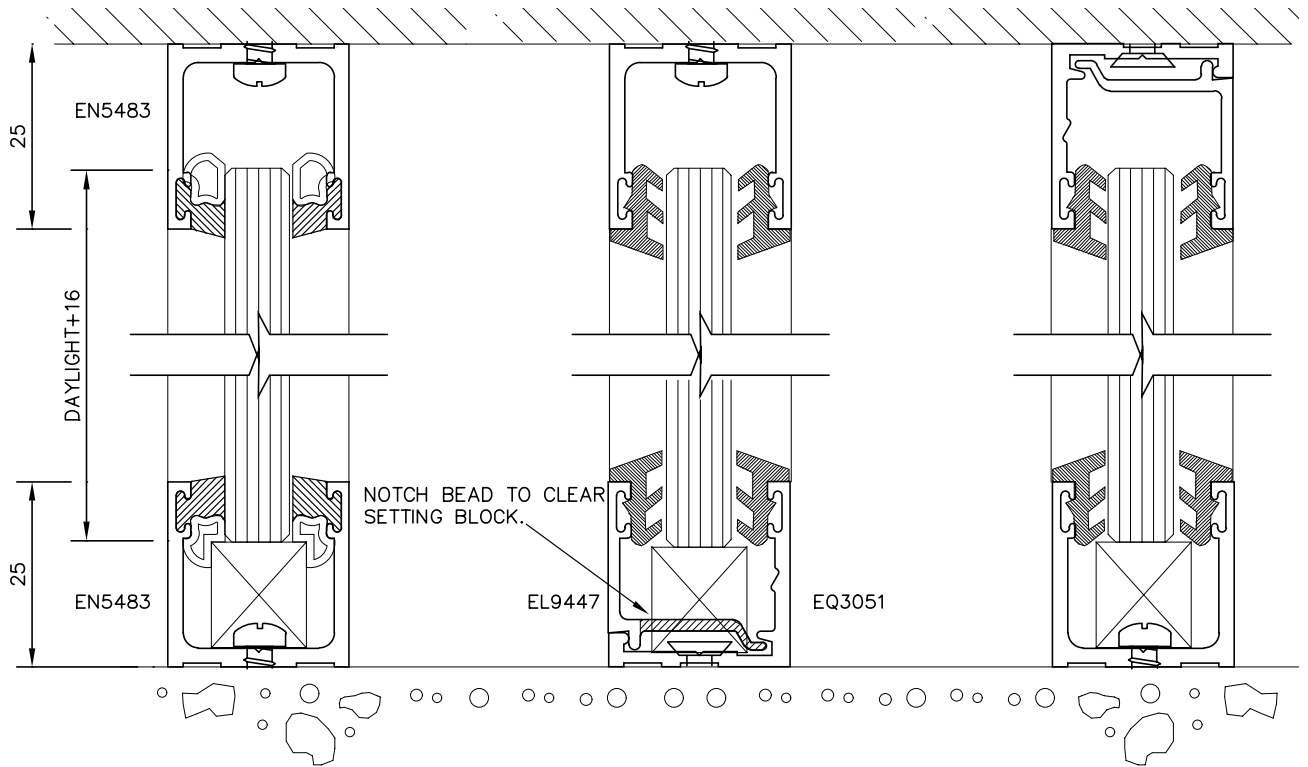


EL9447  
BEAD



EQ3052  
GLAZING CHANNEL

# Glazing details

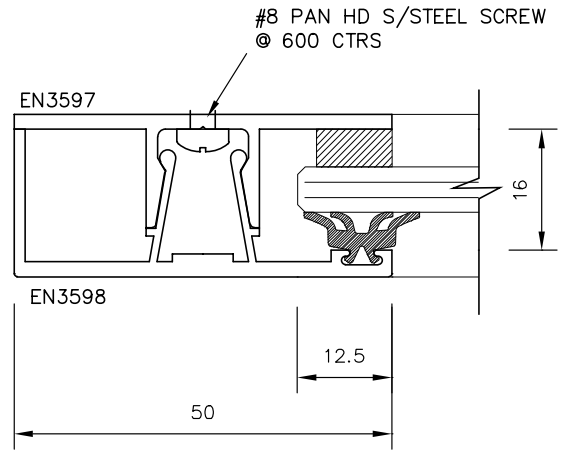
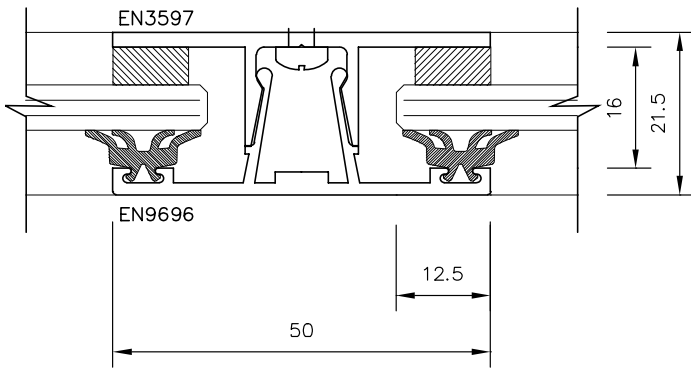


REF: FG-A03

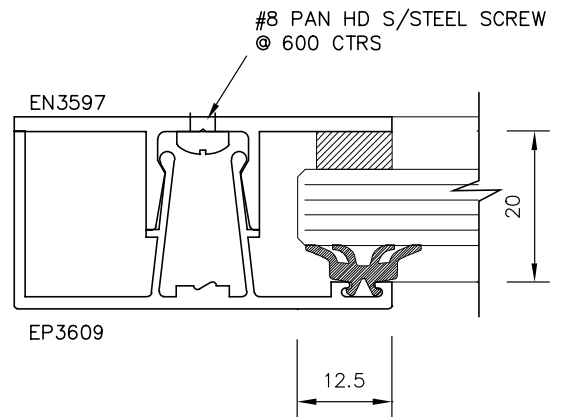
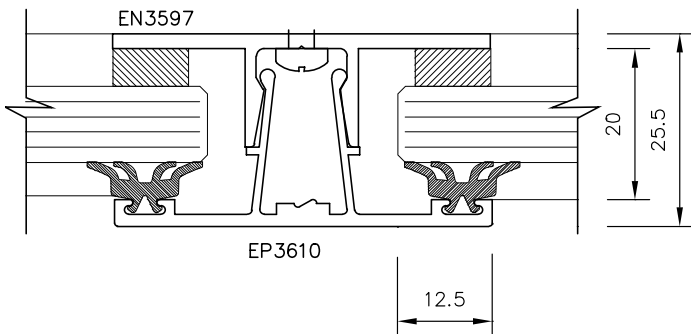
# St Lucia Adaptors

THESE ADAPTORS CAN BE FIXED BACK TO MANY STRUCTURES INCLUDING STEELWORK, ALUMINIUM BOX SECTIONS AND AS SECONDARY GLAZING TO CREATE A LARGE AIRSPACE FOR ACOUSTICS.

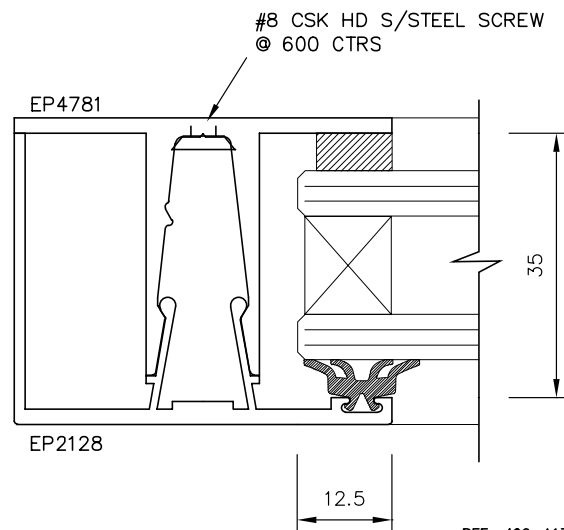
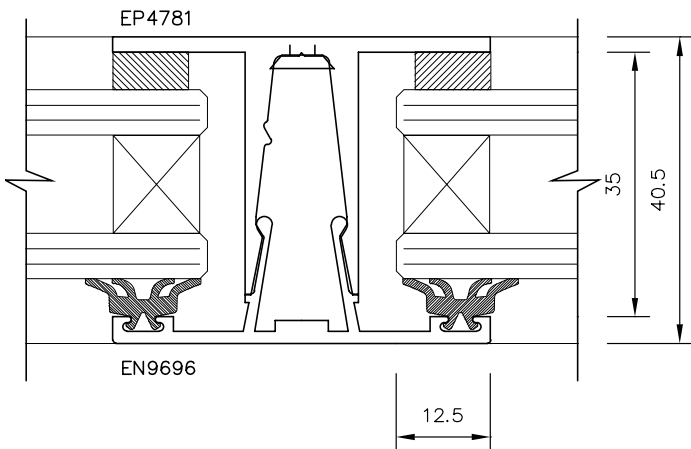
## GLAZING ADAPTOR 6 TO 10mm GLASS



## GLAZING ADAPTOR 8 TO 14mm GLASS



## GLAZING ADAPTOR 25mm GLASS



REF: 406-A13

## 150 St Kilda Suite

### Features



- Adaptable to 50mm box sections, timber or steel structures
- Suitable for vertical walls and sloping roofs
- Small adaptor can be curved for barrel vaults
- External cap hides assembly screws
- Variety of adaptors suit glass from 6mm to 36mm
- High performance weathering capabilities

#### Notes

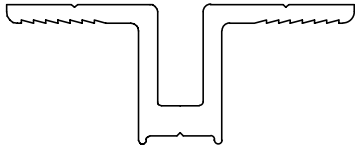
Adaptors on their own have limited spanning capabilities and usually require fixing to a structural member

#### Recommended for use with

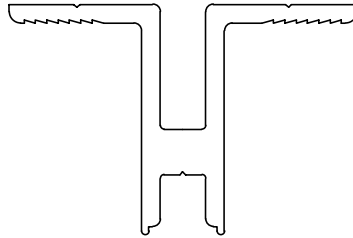
All door systems for 100mm or greater box sections

AGS

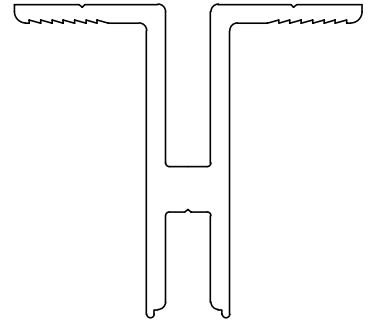
## Full size sections



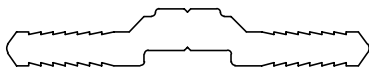
E18171  
BASE 14/18 GAP



EP2537  
26/30 GAP



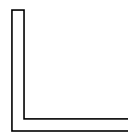
E31182  
BASE 37/41 GAP



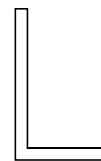
E18170  
CLAMP BAR



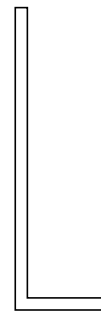
E18169  
EXTERNAL CAP



E20440  
16x16x1.6 ANGLE

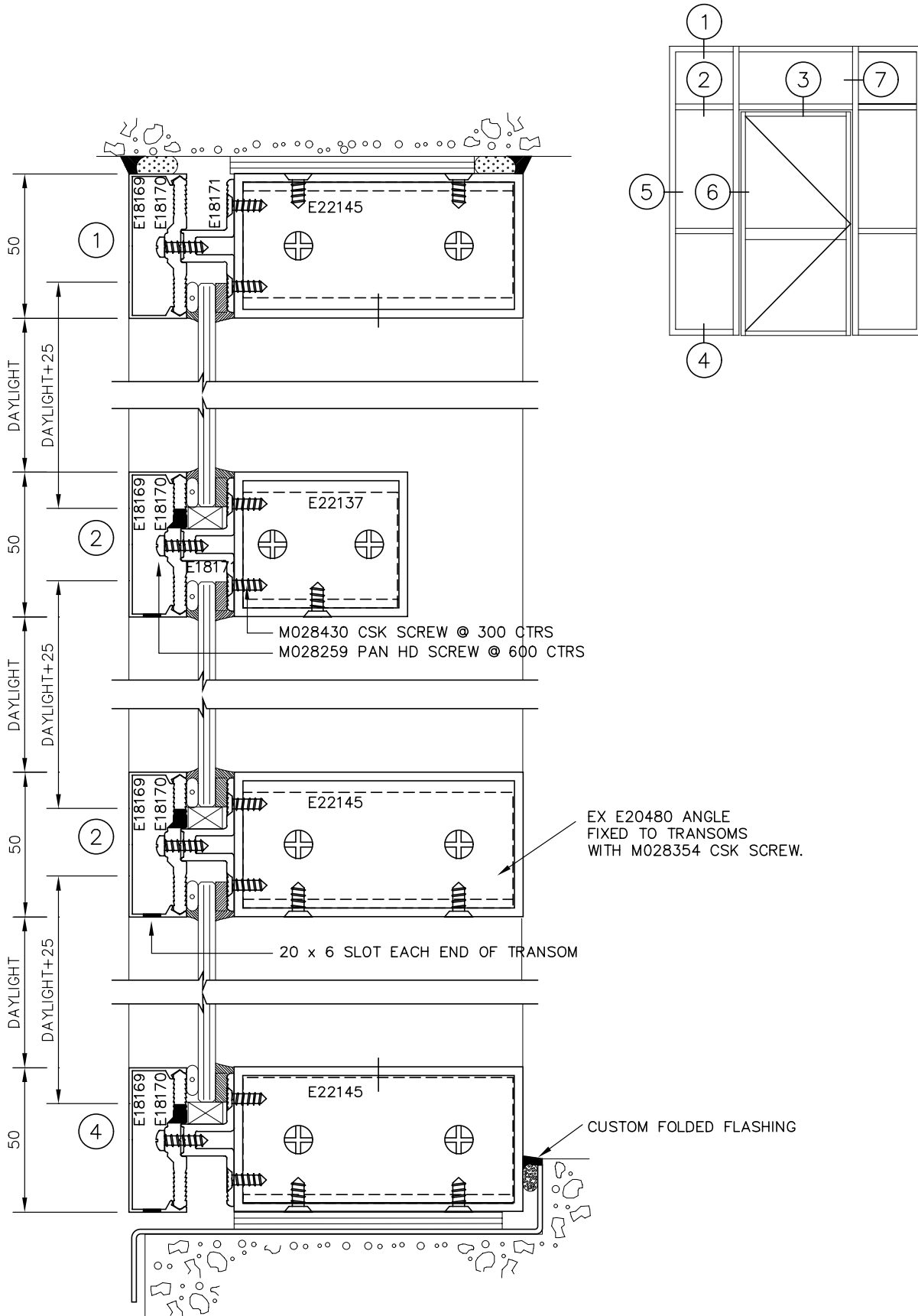


E20425  
20x12x1.6 ANGLE



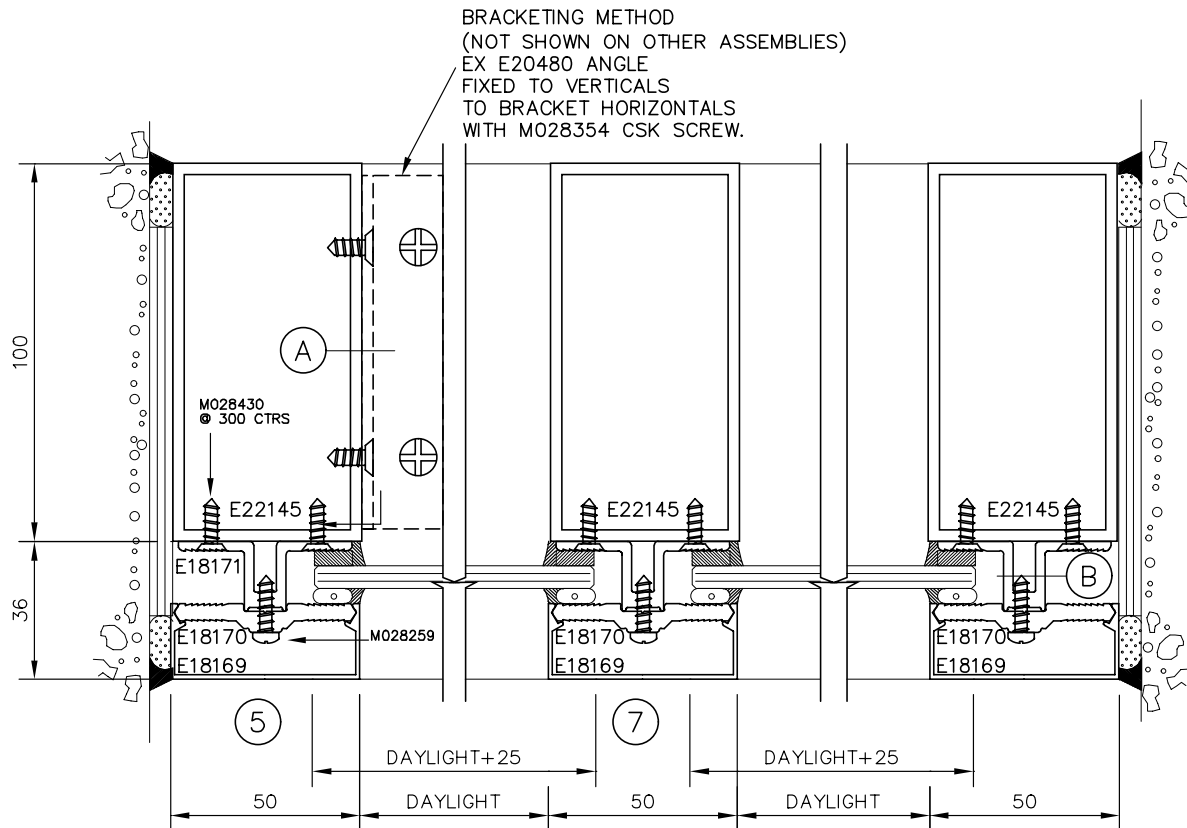
E20434  
40x12x1.6 ANGLE

# Half size assembly



REF: 150-A01

## Half size assembly (cont)



### SUGGESTED StKILDA FIXING METHODS

METHOD A: VISIBLE FIXING THROUGH BOX SECTION  
OR 10mm CLEARANCE HOLE WITH  
DYNABOLT THROUGH BACK WALL.

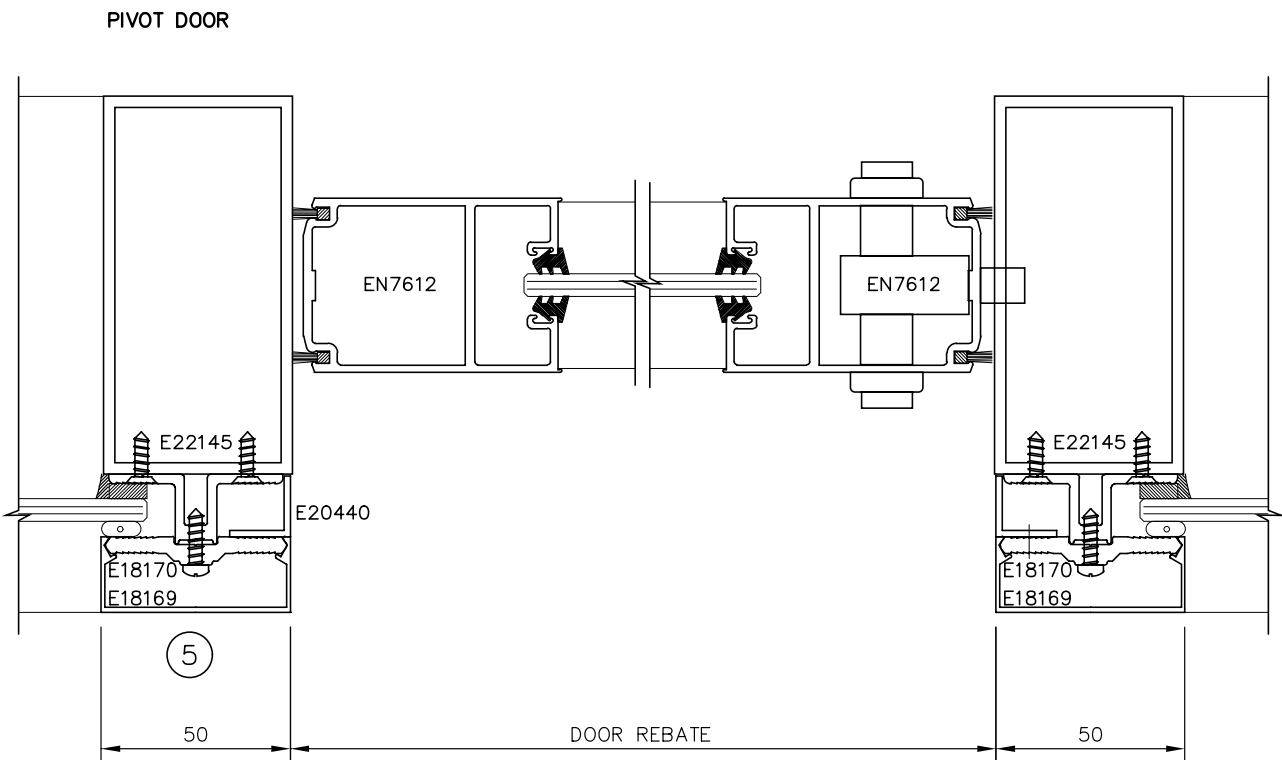
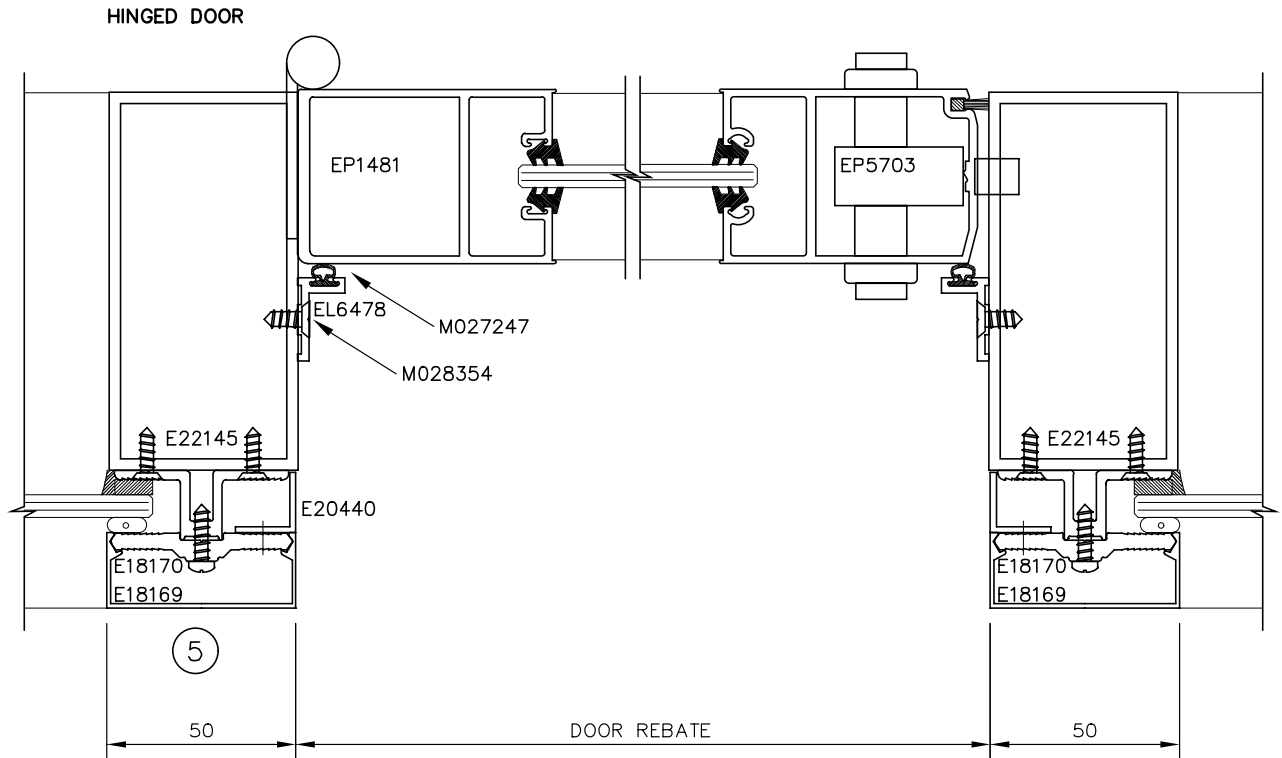
METHOD B: FIXING THROUGH THE BACK ADAPTOR  
OR VIA AN ANGLE FIXED OFF THE GLAZING LEG.

REF: 150-A02



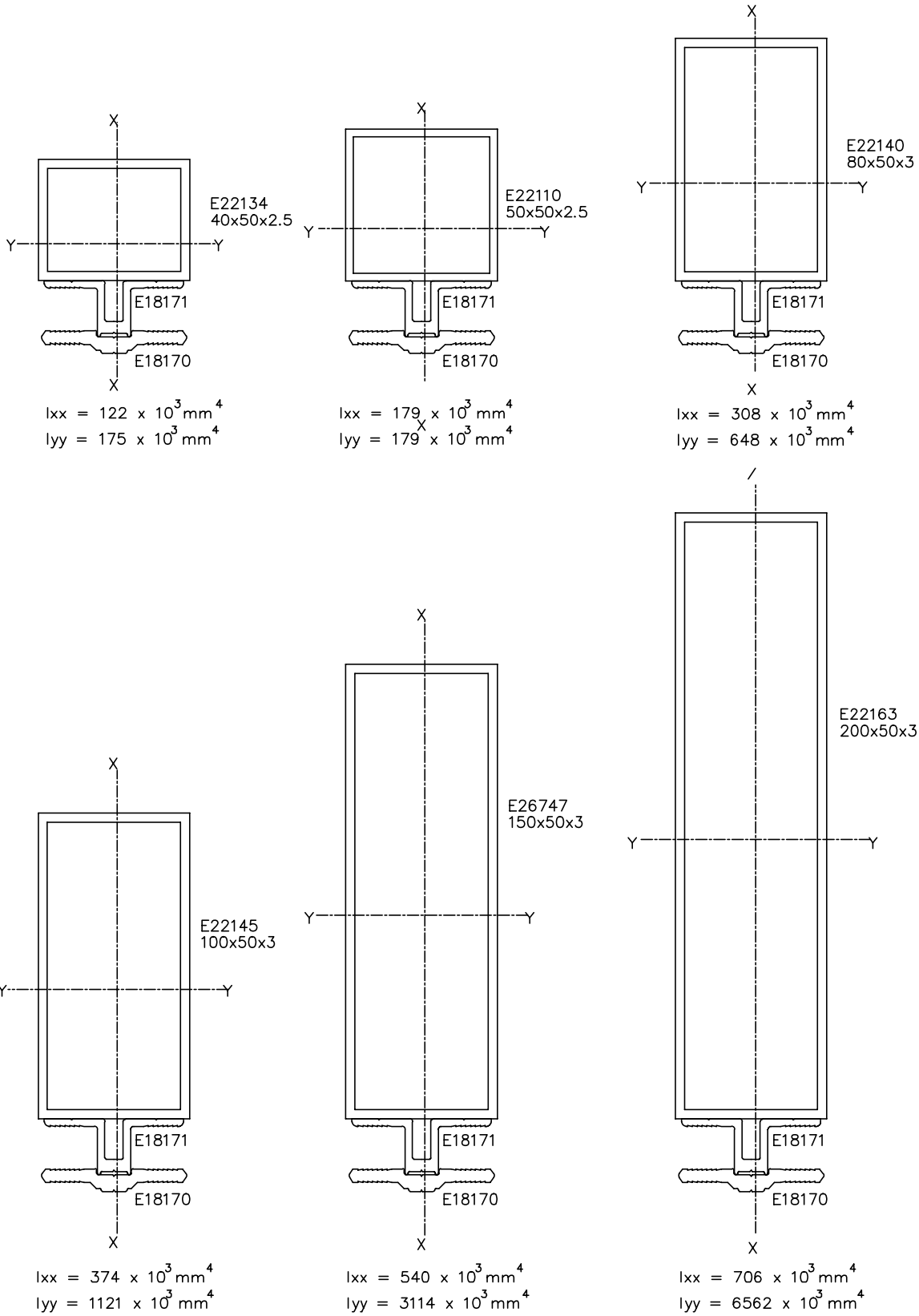


# Half size assembly (cont)



REF: 150-A04

Structural details



NOTE: THE COMBINED I VALUES FOR THESE ASSEMBLIES INCLUDE E18170 & E18171  
MARGINALLY HIGHER 'Y' VALUES WILL BE ACHIEVED USING LARGER COUPLERS.

REF: 150-101

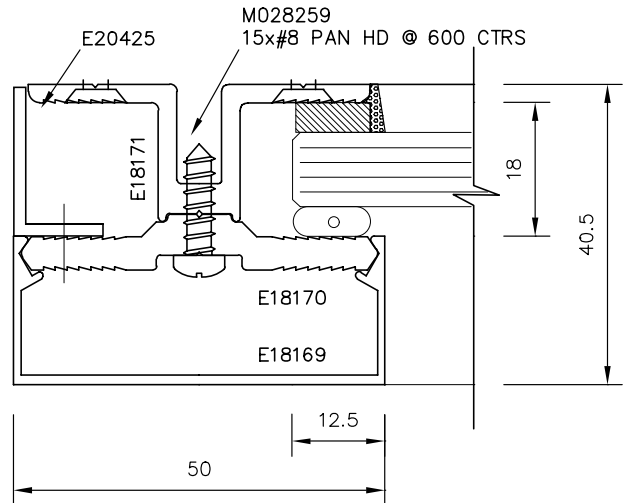
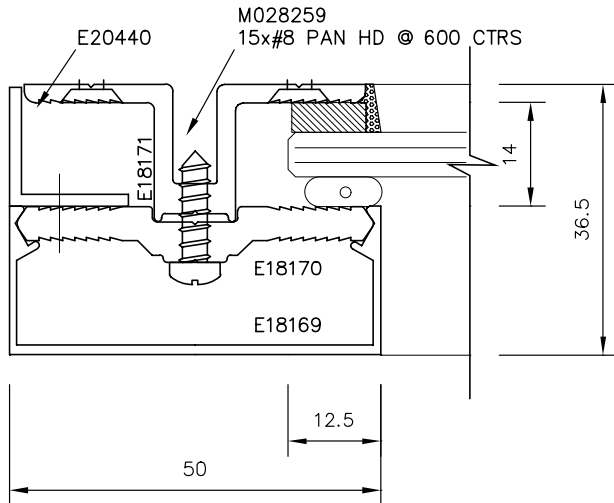
# Glazing details

## St KILDA GLAZING ADAPTORS

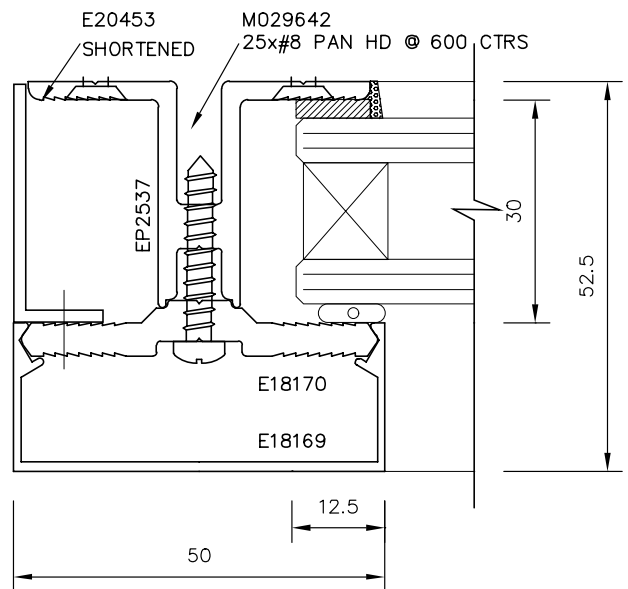
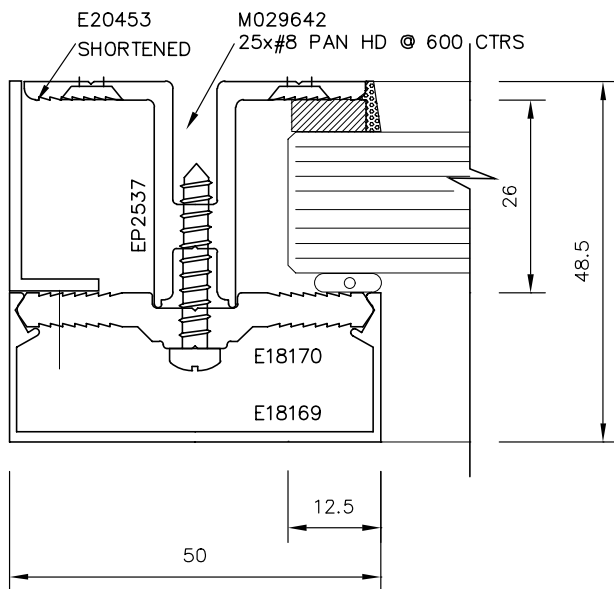
THESE ADAPTORS CAN BE FIXED BACK TO MANY STRUCTURES INCLUDING STEELWORK, ALUMINIUM BOX SECTIONS.

ALTERNATIVE SYSTEM: 406 St LUCIA

### GLAZING ADAPTOR 6 TO 10mm GLASS



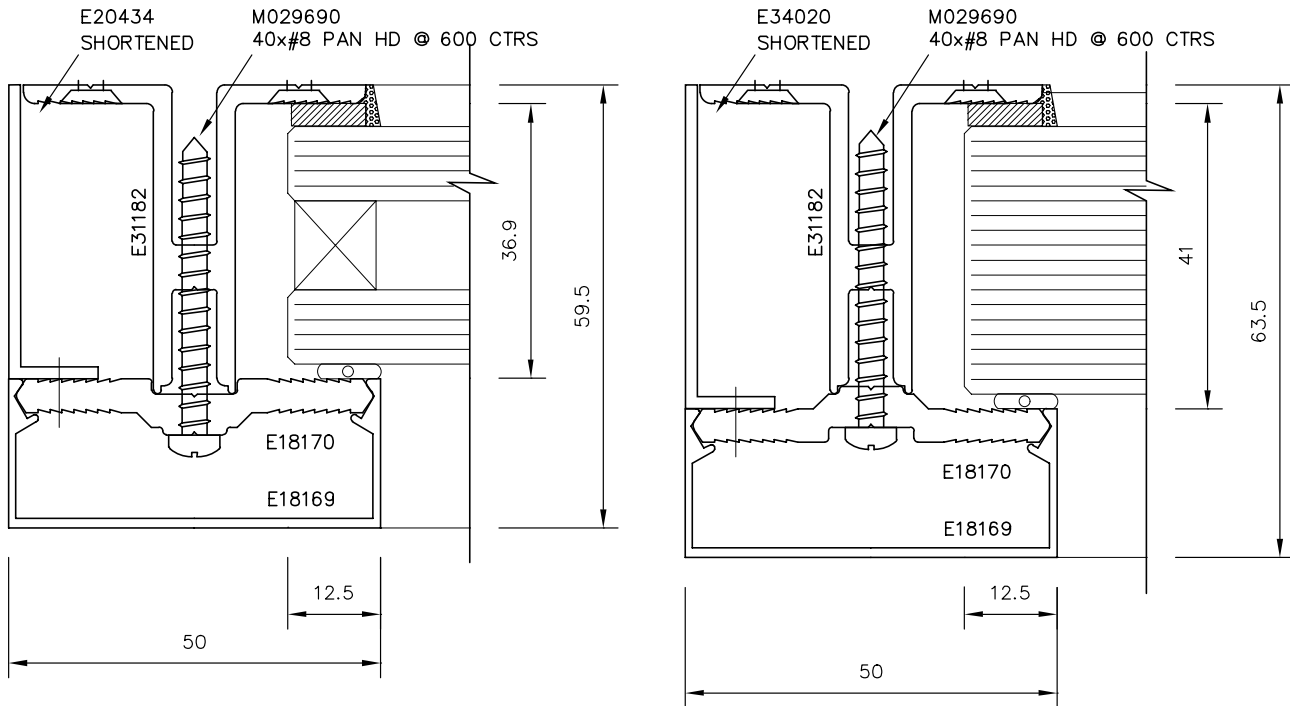
### GLAZING ADAPTOR 19 TO 25mm GLASS



REF: 150-A05

# Glazing details (cont)

## GLAZING ADAPTOR 32 TO 36mm GLASS



REF: 150-A06